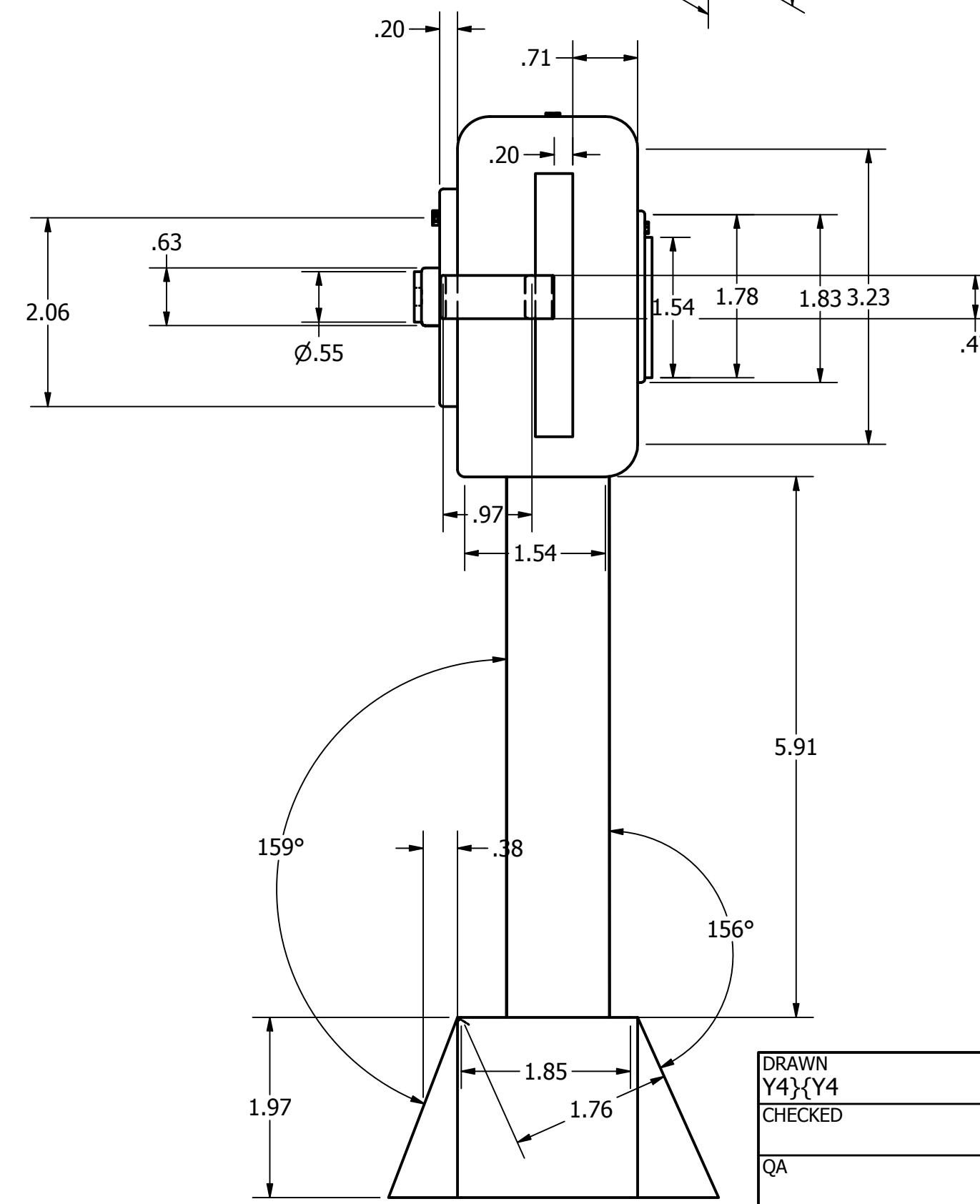
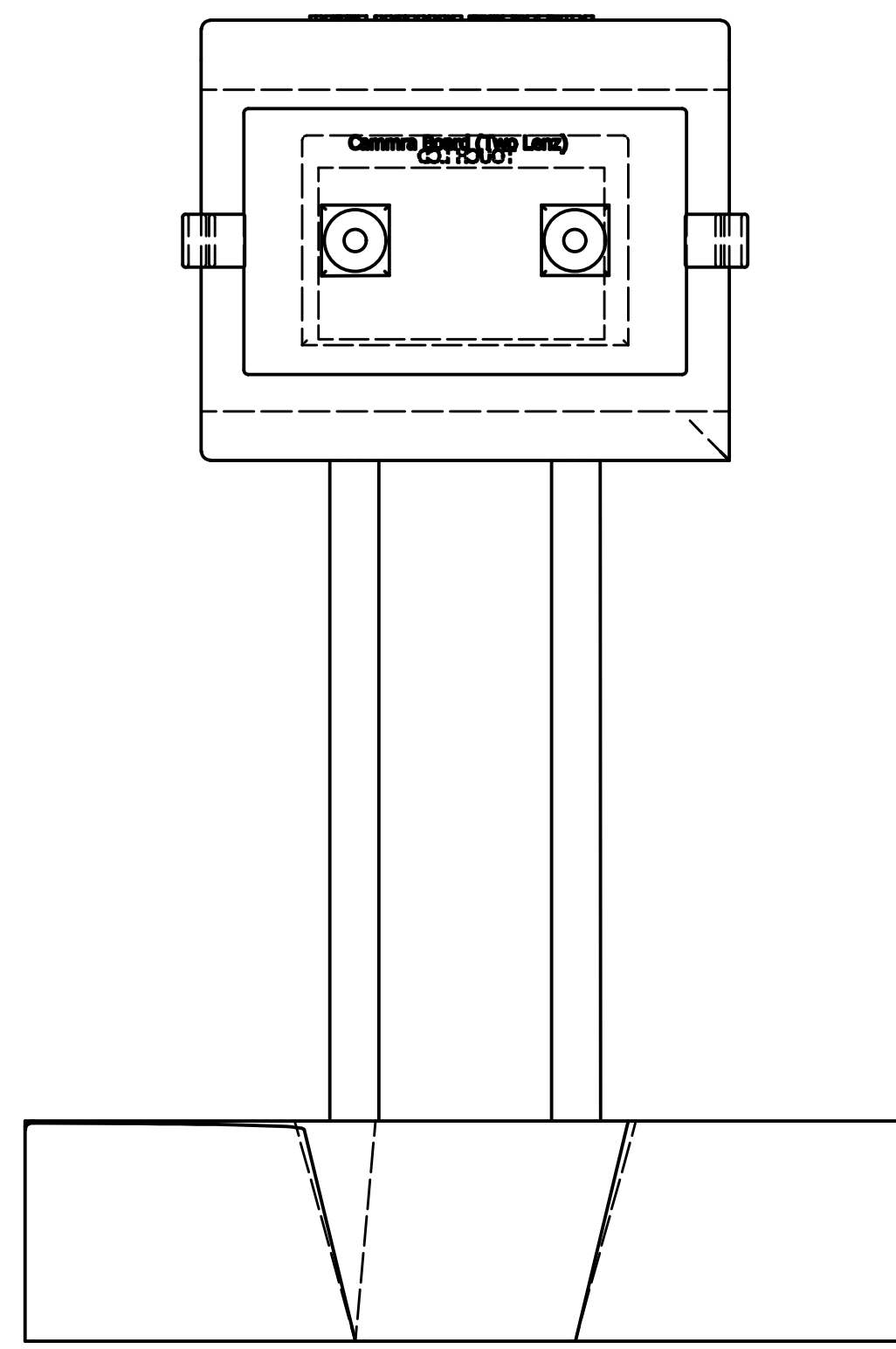
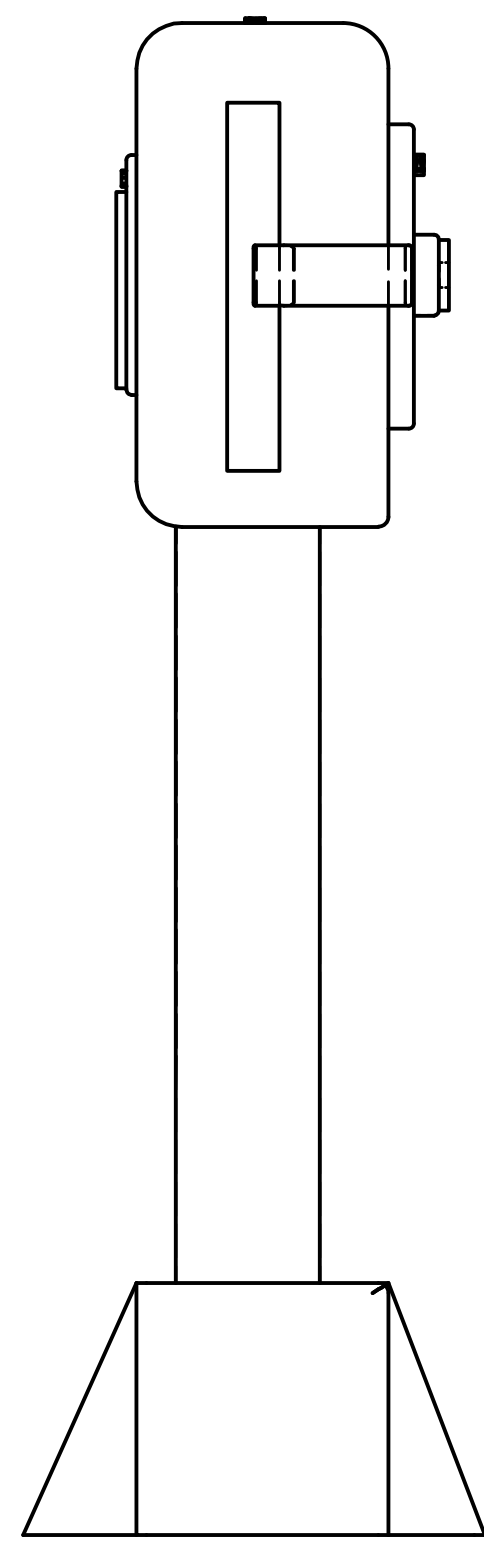
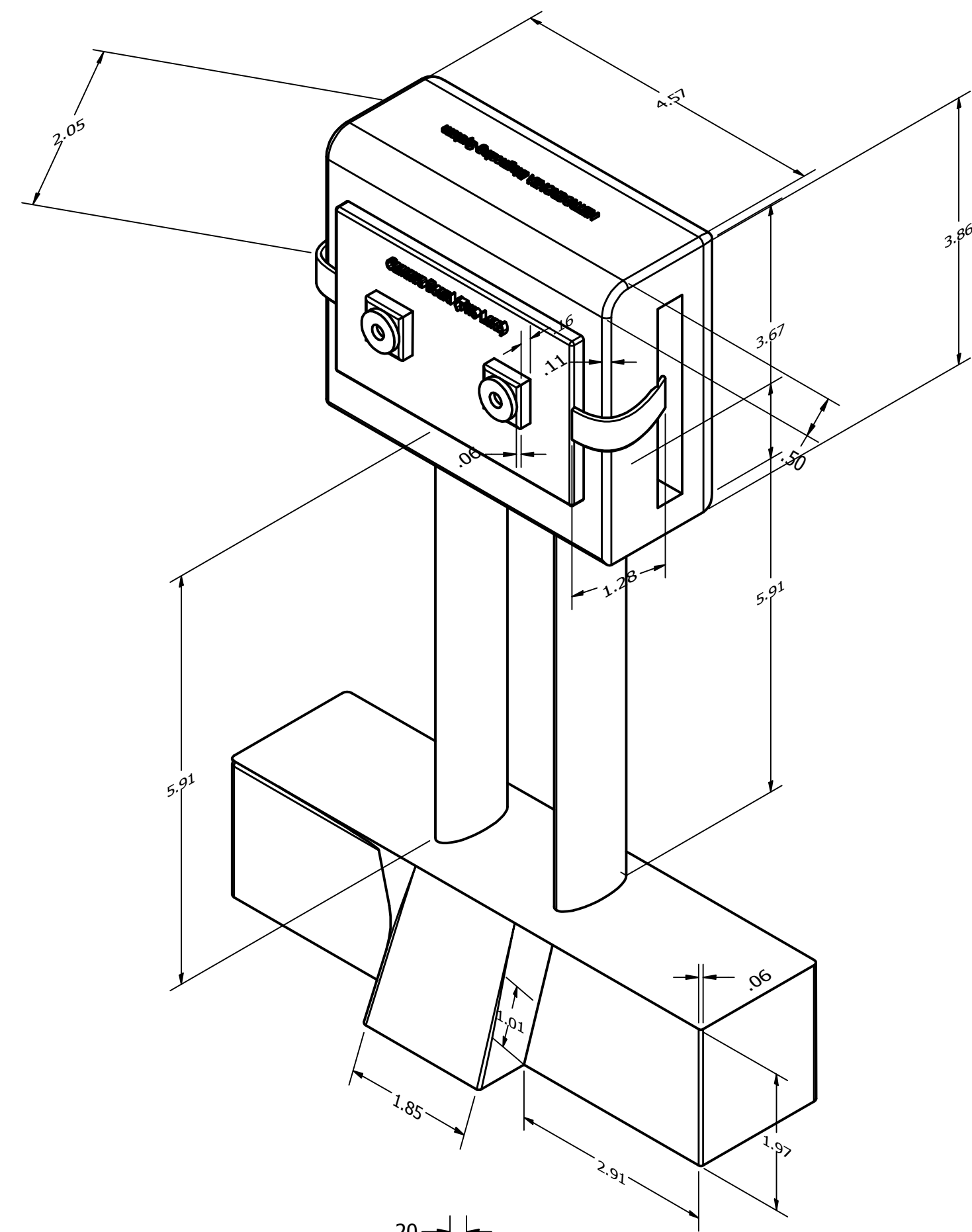
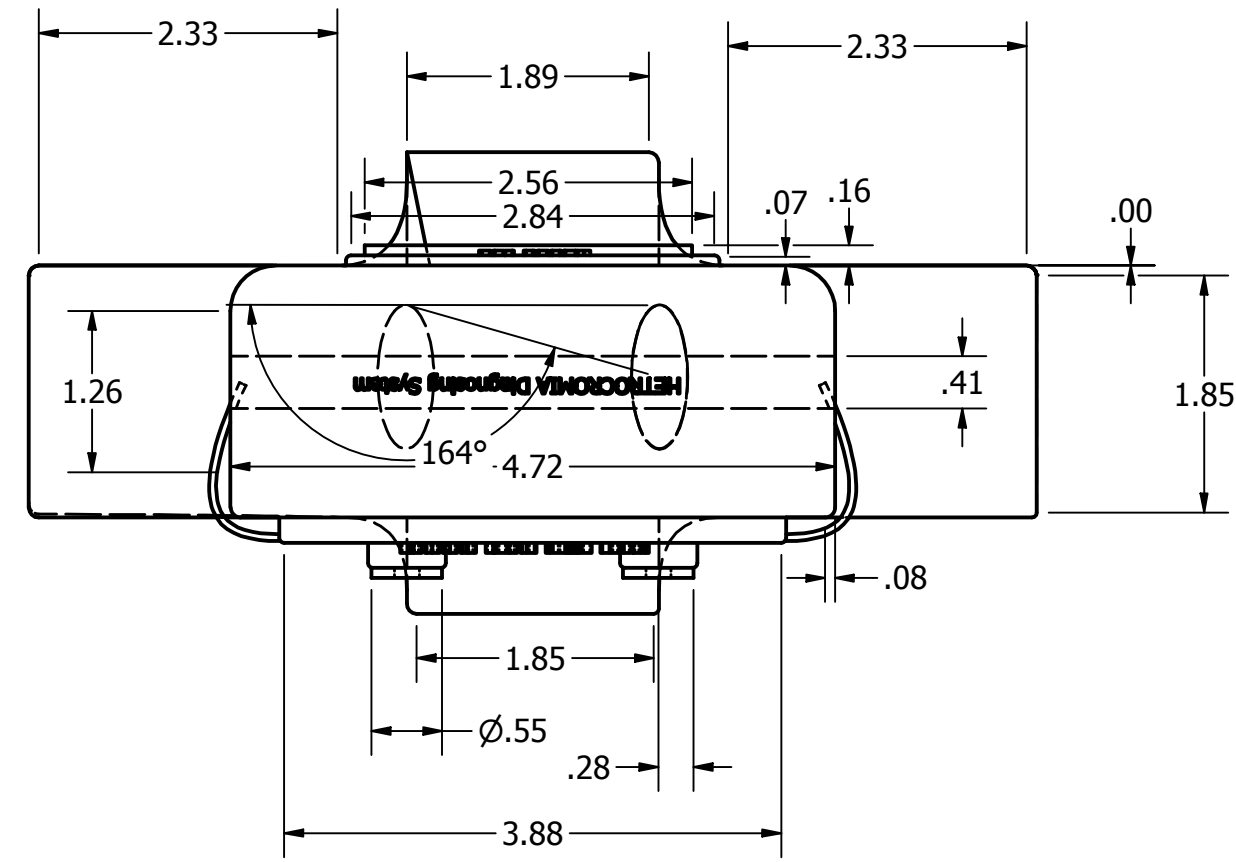
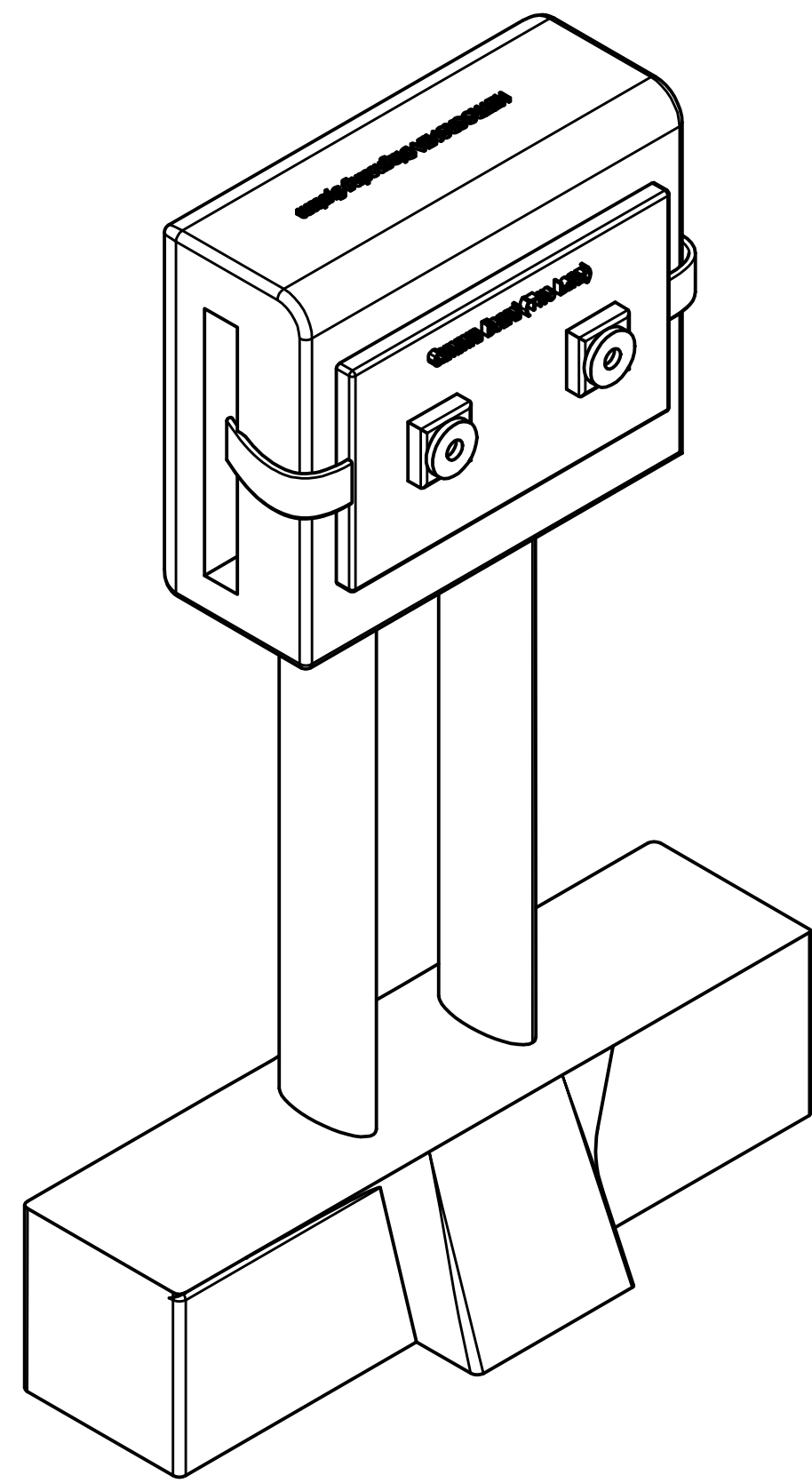


DRAWN Y4}{Y4	2/11/2019			
CHECKED		TITLE		
QA				
MFG				
APPROVED				
		SIZE D	DWG NO	REV
		SCALE 3 : 4	SHEET 1 OF 1	



DRAWN Y4\Y4	2/11/2019	Seyed Yahya Moradi		
CHECKED		TITLE Hetrocromia MV DS		
QA				
MFG				
APPROVED				
		SIZE D	DWG NO	REV
		SCALE 2 / 3	SHEET 1 OF 1	